

## Sight glass level gauge PN40 / CL300 to PN100 / CL600

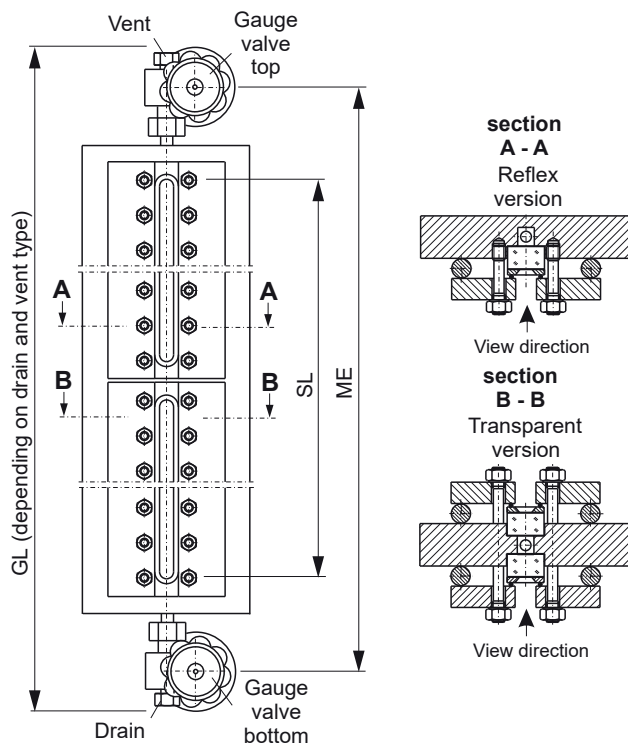
"Cold" High pressure, Reflex, Transparent, Connection top-bottom pivoted  
Connection gauge valve to gauge chamber: union  
Offset, handwheel

Product group **700**

Type **27**

Sheet: 1 Revision: 4

Date: 04/22



### Field of Application

Direct reading liquid level indicator for general applications up to PN100/CL600 (depends on glass type). Increased safety with ball check valves.

### General Data

Visible length SL: ≤ME-180 mm  
Body: 140x40 (Reflex), 200x40 (Transparent)  
Connection gauge valve - body: union  
Gauge valve types: see data sheet 760.53  
Actuation: hand wheel  
Material glass plates acc. to DIN 7081: Borosilicate  
Material media wetted parts: CS, SS  
Depending on delivery situation material can vary.  
Types with special materials e. g. Hastelloy, Monel etc. are available.  
Weight  
- basic weight (glass type 4-11) reflex / transparent: 21,0-27,0/24,0-32 kg  
- per segment (glass type 4-11) reflex / transparent: 7,9-15,6/10,4-19,8 kg  
Depending on execution weight can vary.

### Design Data

Design pressure/-temperature see derating  
140x40: see data sheet BG00RE  
200x40: see data sheet BG00RF

### Further Data

Connection gauge valve - body: see 700.VAR  
Process connection: see 700.VAR  
Vent: see 700.VAR  
Drain: see 700.VAR

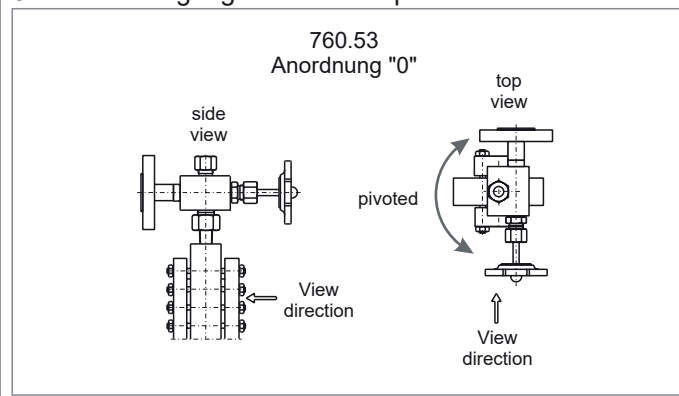
### Accessories

Glass protection etc.: see accessories  
Frosts protection: see accessories  
Illumination: see accessories  
Scale: see accessories  
Heating: see accessories

CS (= carbon steel) and SS (= stainless steel type 316SS) are materials suitable for Pressure Vessels according to EN or ASME.

Subject to alterations

### Orientation of gauge valve and operation



### Ordering no.

7 0 0 2 7 X X 5 3 X X X X - X X - X X X X X X X X - X X X X		see 700.VAR	ME [mm]
bridging	without	0	results from ME
	with	1	
glass window	Reflex (DIN 7081)	1	X spec. glass types
	Transparent (DIN 7081)	2	glass type
gauge valve	760.53	5 3 X	nos of segments
			DIN-bolts, -nuts
			A ANSI-bolts, -nuts
			E 140x40 (Reflex)
			F 200x40 (Transparent)
			gauge body
			orientation gauge valve
			siehe Datenblatt 760.53

## Phönix Control Kft.

Bolyki Tamás street 44.

Ozd, 3600, Hungary

Tel.: +36-48-572-310

+36-48-572-567

Fax.: +36-48-471-642

E-mail: info@phoenix-brv.hu

web: www.phoenixcontrol.hu