

## Magnetic Level Gauge PN100 / CL600

Magnetic indicating bar scale with fine resolution, indirect level indication  
Fully closed housing with gapless weldings and butt-welded connections  
Float magnet field totally circular with strong far field  
Float defect control with indicating field in lower display end

Product group **710**

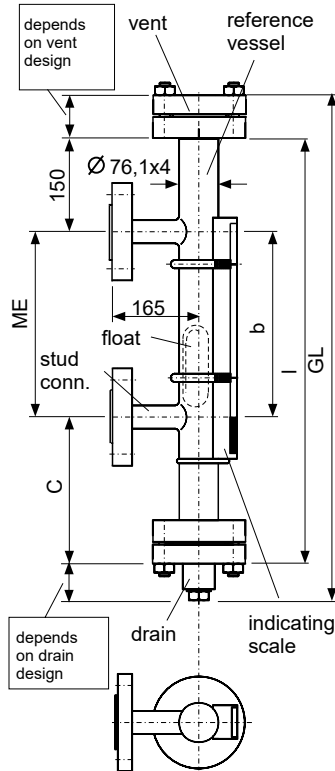
Type **120.0**

Sheet: 1/2 Revision: 8

Date: 04/22



Type 120.0 equipped with drain valve sideways and indicating scale type 710.AVG3.



### Field of Application

The magnetic level gauge is for indicating the level height of liquids in any vessel via bypass. Simultaneously you can use level switches (s. 740.XXXX) or level sensors (s. 745.XXXX) mounted onto the reference vessel tube to signal level limits or measure the level height by remote means.

### General Data

Density, float 1.4571: special design  
Titanium: from 0,57 g/cm<sup>3</sup>  
Precision for Interface or density: from ±0,01 g/cm<sup>3</sup>  
Measuring range (=ME): single piece up to 5000 mm, above split construction, from 3000 mm holding bracket each 1500 mm  
Measuring error: ±10 mm  
Viscosity: max 5000 mPas  
Display type: 710.AVG3  
Connection: weld end (Standard), Flanges DIN and ANSI  
Drain/vent: Flange stud DIN and ANSI(Standard), plug 1/2" NPT, optional 3/4" NPT, G1/2A, G3/4A Valve DN8, optional DN6, Cap and acc. to customer spec.  
Material tube, stud, 1.4571 (Standard), ANSI-coded  
flanges, fixtures: Titanium, Hastelloy, etc.,  
float: Titanium (Standard), 1.4571  
Weight: Basic 27,4 kg + 0,66 kg/100mm ME

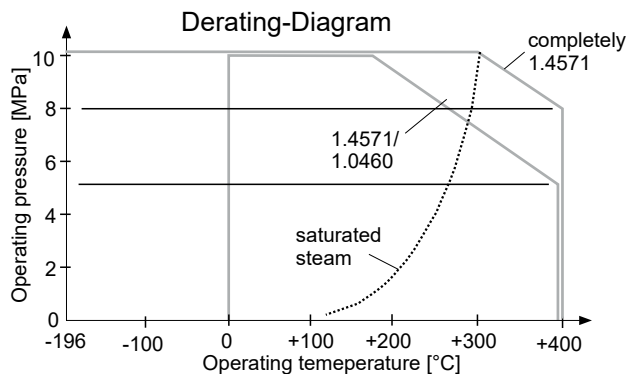
### Design Data

Operating pressure: up to 10,0 MPa/600 lbs (see Derating-Diagram)  
Temperature Media:  
Reference vessel cpl. 1.4571: -196 ... +400 °C  
flanges 1.0460: -10 ... +400 °C (see Derating-Diagram)  
Below -10 °C Indicating scale .AVG2 and below -20 °C add frost protection with 710.FROST. In both cases preparation for insulation included.

### Certificates

PED 97/23/EG  
ExNBATEX 2190

Subject to alterations



Ordering no.

710.120.0 - XXX - XXXX - XXXXXXXX

Density, e.g.  
057=0,57 g/cm<sup>3</sup>

Center to center ME  
in mm

Connections etc.  
see sheet  
710.VAR

### Phönix Control Kft.

Bolyki Tamás street 44.

Ozd, 3600, Hungary

Tel.: +36-48-572-310

+36-48-572-567

Fax.: +36-48-471-642

E-mail: info@phoenix-brv.hu

web: www.phoenixcontrol.hu

## Details

Float, Vent, Drain and Connection

Product group **710**

Type **120.0**

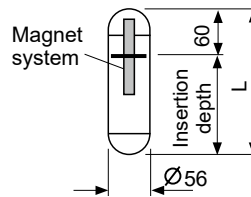
Sheet: 2/2 Revision: 8

Date: 04/22

Float material Titan, 56, PN100 / CL600

Density [g/cm <sup>3</sup> ]	Measure C [mm]	Total length L [mm]	Weight [g]	Part no.
0,95 ... 1,17	170	160	233	BG1001209117
0,83 ... 0,94	210	200	280	BG1001209094
0,73 ... 0,82	240	230	313	BG1001209082
0,65 ... 0,72	360	350	447	BG1001209072
0,61 ... 0,64	410	400	498	BG1001209064
0,57 ... 0,60	510	500	612	BG1001209060
0,45 ... 0,50	570	560	690	BG1001209050
Interface float (individually designed $\pm 0.01$ g/cm <sup>3</sup> )				BG1001109TRX

Density range corresponds to measuring error  $\pm 10$  mm



### Design Data

Operating pressure:

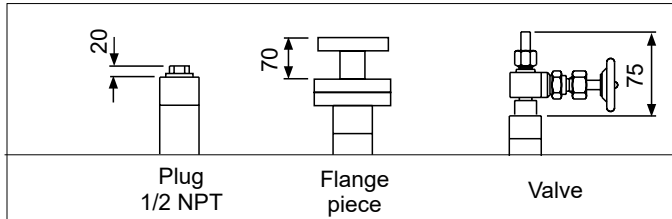
Test pressure:

Operating temperature:

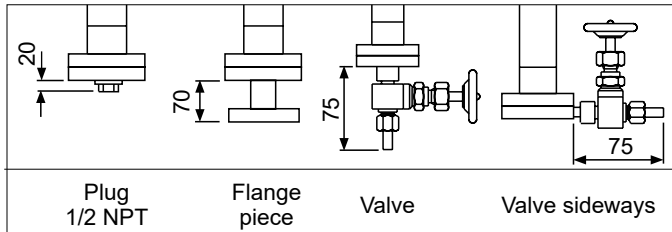
up to PN100 / CL600  
(see Derating Diagram)  
Operating pressure x 1,3  
-196 ... +400 °C  
(see Derating Diagram)



### Vent

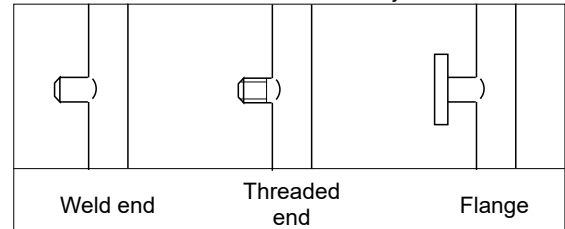


### Drain



### Connections

Subject to alterations



### Ordering no.

#### Accessories:

Device	Product group
Magnetic switch	740.XXXX
Level sensor	745.XXXX
Indicating scale	710.AVGX
Frost protection	710.PLEXI
Heating	710.HEAT

#### Spare parts:

Designation	Part no.
Float	s. Float table above
Indicating scale	BG10.AVGX
Sealing	0650077005PS
Fixing springs	3813000772
Align magnet	BG10XXXXMAKU

There may be any other customer specified connections, materials and special floats.

### Phönix Control Kft.

Bolyki Tamás street 44.

Ozd, 3600, Hungary

Tel.: +36-48-572-310

+36-48-572-567

Fax.: +36-48-471-642

E-mail: info@phoenix-brv.hu

web: www.phoenixcontrol.hu