

Magnetic Power switch

Universal bistable magnetically operated switch
Semiconductor relay controlled by Reed switch
Switch direction reversible

Product group **740**

Type **0060**

Sheet: 1/2

Revision: 4

Date:

04/16



Field of Application

This switch is for signalling level limits with magnetic level gauges.
The switch element Reed has a very low mass and so can sustain very high shock and vibration stress.
It can be used for power switching and small signal switching, you only have to use the appropriate screw terminals.

General Data

Hysteresis ca. [mm]:

Gauge-Type	on basic pipe	on heating jacket
710.104/2XX	6	15
710.100	10	20
710.110...160	15	25

Fitting position:

Cable gland downwards

Ingress protection:

IP65

Material housing:

Alu/Makrolon

Manner of fastening:

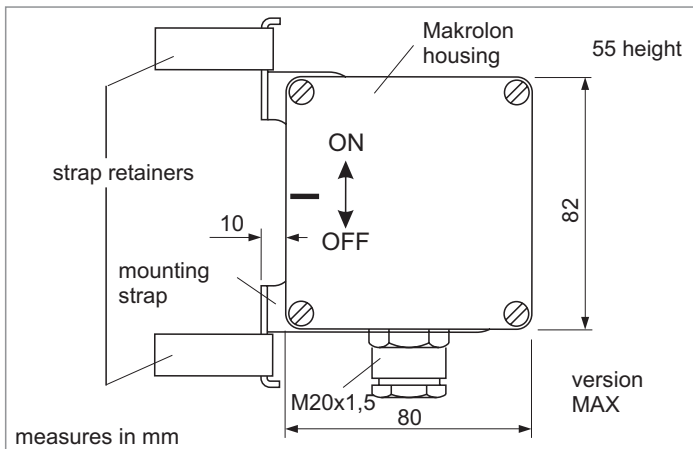
with strap retainers

(Accessories s. page 2)

Measures/weight:

Makr.: 82x80x55/0,15 kg

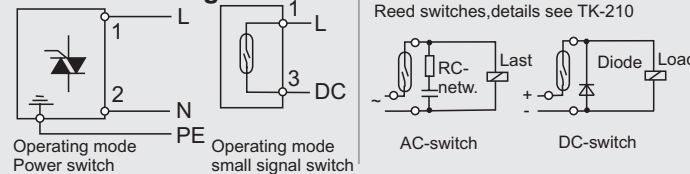
Alu: 75x80x57/0,3 kg



Design Data

Operating mode		max. temperature of pipe	max. temp. of housing
Power switch (Solid state Triac-relay)	Makr.	150 °C *) at amb.Temp.85 °C	70 °C
	Alu	400 °C *) at amb.Temp.55 °C	90 °C
Small signal switch (Reed)	Makr.	150 °C *) at amb.Temp.120 °C	120 °C
	Alu	500 °C *) at amb.Temp.70 °C	120 °C

Connection diagram



*) Insulate between housing and pipe above 150 °C in pipe

Switch cycles:

10⁶ - 10⁷

Shock:

15 g

Vibrations:

10 g

Subject to alterations

Ordering no.

740.0060 - X???????

Housing
A=Alu
M=Makrolon

?=Code not in use

Phönix Control Kft.

**Bolyki Tamas street 44.
Ozd, 3600, Hungary
Tel.: +36-48-572-310
+36-48-572-567
Fax.: +36-48-471-642
e-mail: info@phoenix-brv.hu
web: www.phoenix-brv.hu**

Magnetic Power switch

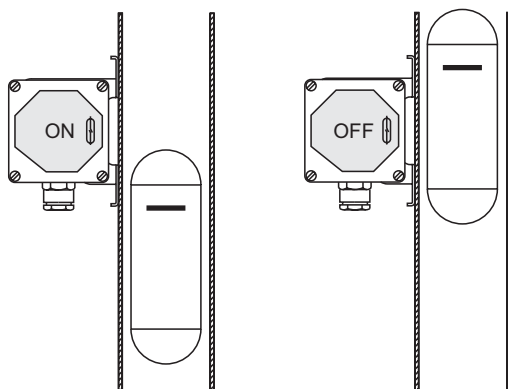
Application hints

Product group **740**

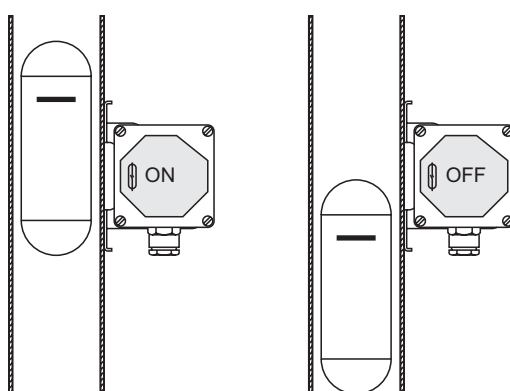
Type **0060**

Sheet: 2/2 Revision: 4

Date: 04/16

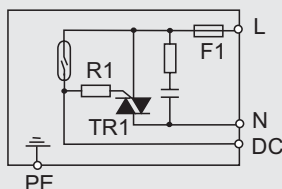


Switch configured as MIN
switched on, if float is below



Switch configured as MAX, pc-board and strap retainer reversed
switched on, if float is above

Circuit diagram

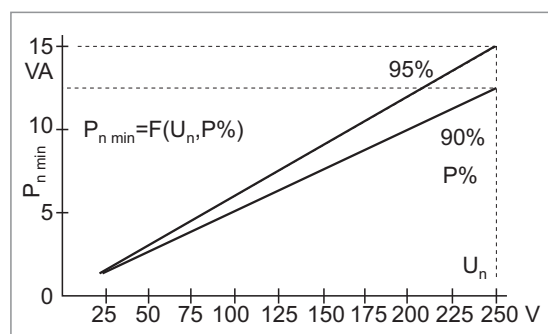


Electrical Data

Cable gland: M20x1,5
Screw terminals: 2,5 mm²

Power switch (Solid state relay with Triac)

Operating voltage nominal for 90 % power: 24 V~ to 230 V~
Operating voltage limit: 250 V~
Load current nominal for 90 % power / 230 V~: 24 mA~ to 2,5 A~
OFF-current (230 V~): 6 mA~
max. power limit $P_{n \max}$: 550 VA
max. power limit $P_{n \min}$: s. Diagram below



Small signal switch (Reed)

Operating voltage limit: 200 V~ / 230 V~
Operating current limit: 0,5 A
Rupturing capacity $U \times I_{\max}$: 5 W

For operating voltages >24 V or with Exi-circuits
please remove R1 located on the pc-board.

Subject to alterations

Ordering no. for accessories

All fixing elements made of 1.4571	Ordering No.
Mounting strap	5945005556
Strap retainers for 710.104/2XX	171538
Strap retainers for 710.100/103	171546
Strap retainers for 710.110/120/106/130/100.3	171553

Phönix Control Kft.

Bolyki Tamas street 44.
Ozd, 3600, Hungary
Tel.: +36-48-572-310
+36-48-572-567
Fax.: +36-48-471-642
e-mail: info@phoenix-brv.hu
web: www.phoenix-brv.hu